



45” Dual QHD VA panel with KVM switch, USB-C dock and RJ45 (LAN) and height adjustable stand

The XCB4594DQSN features a 1500R curved VA panel with a 165Hz refresh rate, 0.8ms MPRT, and a 5120x1440 (DQHD) resolution for superb image quality. The KVM switch allows you to connect multiple computers that can be operated over one console (monitor, keyboard, mouse). The USB-C dock simplifies setup with one cable for laptop signal transmission, power, and charging. Connecting to the Internet via LAN automatically links your notebook to the network. The VA panel ensures expansive viewing angles and vivid colours, and the 1500R curvature minimizes eye strain for a lifelike and fully immersive gaming experience. The dual QHD resolution provides sharp visuals, and the height-adjustable stand adds a comfortable and highly ergonomic experience.



DQHD

Ultra-wide 32:9 monitors with a DQHD 5120x1440 resolution, also called dual QHD, deliver razor-sharp images. They make it possible to divide the workspace into multiple windows and simultaneously open all the documents you need.



CURVED DESIGN 1500R

The 1500R curvature of the screen reduces the strain on your eyes while providing a realistic viewing experience. It allows a comprehensive and more natural viewing angle than you'll have with flat monitors lined up side by side. The result is a more immersive experience which boosts productivity and focus whether it be for work, gaming, entertainment, editing or more.

01 DISPLAY CHARACTERISTICS

Design	3-side borderless
Diagonal	44.5", 113cm
Panel	VA, matte finish
Curved	1500R
Native resolution	5120 x 1440 @165Hz (7.4 megapixel DQHD)
Aspect ratio	32:9
Panel brightness	450 cd/m ²
Static contrast	3000:1
Advanced contrast	80M:1
Response time (MPRT)	0.8ms
Viewing zone	horizontal/vertical: 178°/178°, right/left: 89°/89°, up/down: 89°/89°
Colour support	16.7mln 8bit (sRGB: 100%; NTSC: 80%)
Horizontal Sync	30 - 260kHz
Viewable area W x H	1087.5 x 305.9mm, 42.8 x 12"
Pixel pitch	0.212mm
Colour	matte, black

02 INTERFACES / CONNECTORS / CONTROLS

Signal input	HDMI x2 (v.2.1) DisplayPort x1 (v.1.4) USB-C x1 (Power delivery 90W)
USB HUB	x3 (v.3.2 (Gen 1, 5Gbit; DC5V, 900mA))
USB-C DOCK	x1 (Power delivery 90W, LAN, USB v. 3.2 (Gen 1, 5Gbit))
HDCP	yes
Headphone connector	yes
RJ45 (LAN)	x1

03 FEATURES

KVM switch	yes
Blue light reducer	yes
Flicker free	yes
Adaptive Sync support	yes
Extra	i-Style Colour
HDR	400
OSD languages	EN, DE, FR, ES, IT, PT, RU, JP, CZ, NL, PL
Control buttons	Navigation (power) button: Center (Menu/Execution), Down (i-Style Colour), Up (Input Select), Right (Volume), Left (ECO Mode), Power
User controls	picture (brightness, contrast, black tuner, sharpness, OD, ACR, ECO Mode, X-Res technology), colour (warm, normal, cool, user colour, i-Style colour, blue light reducer), input select, PBP (PBP mode, sub win input, PBP swap, audio input), audio (volume, mute), language, OSD settings (OSD H. position, OSD V. position, OSD background, OSD time out, information), setup menu 1 (MST, DSC, KVM, USB-C, USB BC), setup menu 2 (video mode adjust, HDMI RGB range, direct drive, adaptive sync, MBR, HDR, opening logo, LED, memory recall)
Speakers	2 x 3W
Convenience	Kensington-lock™ prepared, DDC/CI, DDC2B, Mac OSX

04 MECHANICAL

Display position adjustments	height, tilt
Height adjustment	130mm
Tilt angle	20° up; 3° down
VESA mounting	100 x 100mm, 200 x 100mm
Cable management system	yes

05 ACCESSORIES INCLUDED

Cables	power, USB, HDMI, DP, USB-C
Other	quick start guide, safety guide

06 POWER MANAGEMENT

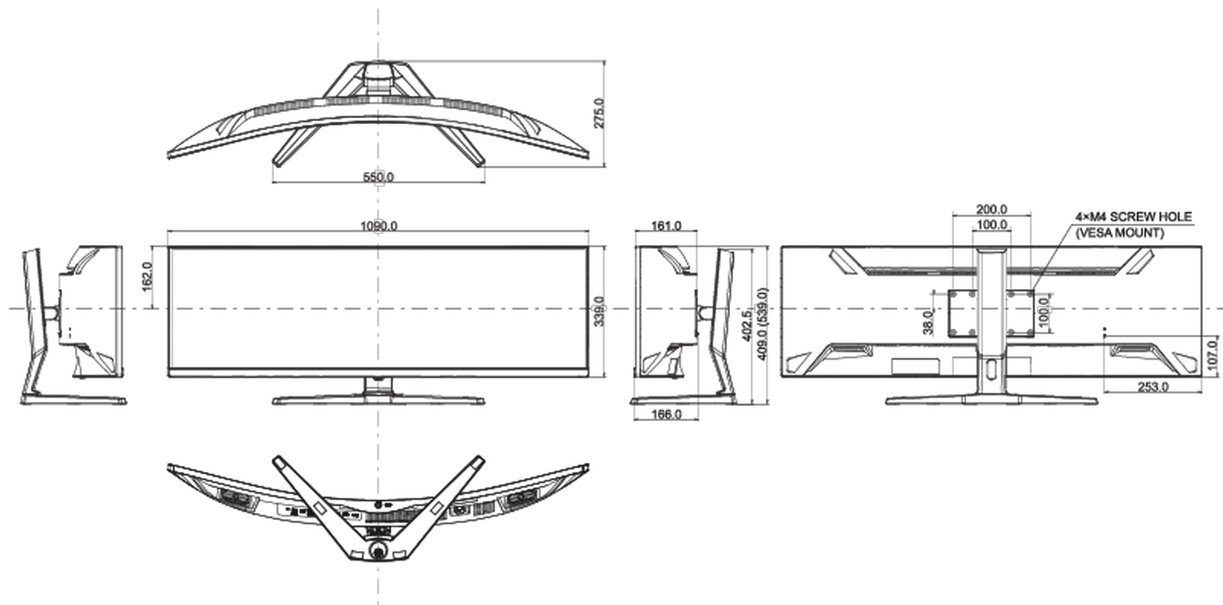
Power supply unit	internal
Power supply	AC 100 - 240V, 50/60Hz
Power usage	60W typical, 0.5W stand by, 0.3W off mode

07 SUSTAINABILITY

Regulations	CE, TÜV-Bauart, EAC, PSE, RoHS support, ErP, WEEE, VCCI, REACH, UKCA
Energy efficiency class (Regulation (EU) 2017/1369)	F
REACH SVHC	above 0.1%: Lead

08 DIMENSIONS / WEIGHT

Product dimensions W x H x D	1090 x 409 (539) x 275mm
Box dimensions W x H x D	1260 x 470 x 315mm
Weight (without box)	11.2kg
Weight (with box)	16.4kg
EAN code	4948570122271



All trademarks and registered trademarks acknowledged. E & O E. Specification subject to change without notice. All LCD's comply with ISO-9241-307:2008 in connection with pixel defects.

© IYAMA CORPORATION. ALL RIGHTS RESERVED